

Distribution cabinets series KVS



Range

- 850mm high cabinets
- four widths from 4 way to 10 way
- available in kitset or assembled
- available with busbars up to 1000A

Construction

- constructed from glass-fibre reinforced polyester to DIN14598
- cabinet and base are separate items

Features

- IP44 protection
- three point door locking
- ribbed surface to resist poster adhesion
- door opening 180°
- grid for additional ground holding available

Distribution cabinets series KVS 850mm height

Cabinet supplied as kitset

		No of ways	Dimensions mm H x W x D	Part No.
		4 way	850 x 462 x 322	KVS00/10SV
		5 way	850 x 596 x 322	KVS0/10SV
		7 way	850 x 791 x 322	KVS1/10SV
		10 way	850 x 1121 x 322	KVS2/10SV

Cabinet supplied assembled

		No of ways	Dimensions mm H x W x D	Part No.
		4 way	850 x 462 x 322	KVS00/10
		5 way	850 x 596 x 322	KVS0/10
		7 way	850 x 791 x 322	KVS1/10
		10 way	850 x 1121 x 322	KVS2/10

Cabinet supplied assembled with 700A busbars (keylock additional)

		No of ways	Dimensions mm H x W x D	Part No.
		4 way	850 x 462 x 322	KVS00/10SAP
		5 way	850 x 596 x 322	KVS0/10SAP
		7 way	850 x 791 x 322	KVS1/10SAP
		10 way	850 x 1121 x 322	KVS2/10SAP

Distribution cabinets series NKVS



Range

- 1100mm high cabinets
- three widths from 4 way to 8 way
- available with busbars up to 1000A

Construction

- constructed from glass-fibre reinforced polyester to DIN14598
- cabinet and base are separate items

Features

- IP44 protection
- three point door locking
- door opening 180°
- grid for additional ground holding available

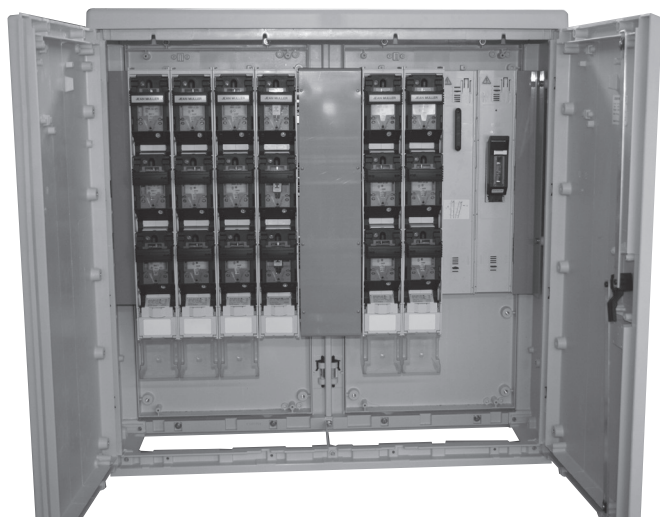
Distribution cabinets series NKVS 1100mm height

Cabinet supplied assembled

	No of ways	Dimensions mm H x W x D	Part No.
	4 way	1100 x 596 x 327	NKVS0
	6 way	1100 x 785 x 327	NKVS1
	8 way	1100 x 1115 x 327	NKVS2

Cabinet supplied assembled with 700A busbars (keylock additional)

	No of ways	Dimensions mm H x W x D	Part No.
	4 way	1100 x 596 x 327	NKVS0/SAP
	6 way	1100 x 785 x 327	NKVS1/SAP
	8 way	1100 x 1115 x 327	NKVS2/SAP



Distribution cabinets - bases and accessories

Bases for KVS and NKVS cabinets in kitset form



FP0

For cabinets	Dimensions mm H x W x D	Part No.
KVS00	902 x 460 x 310	FPO0-10/KS
KVS0 & NKVS0	902 x 585 x 310	FPO-10/KS
KVS1 & NKVS1	902 x 780 x 310	FP1-10/KS
KVS2 & NKVS2	902 x 1110 x 310	FP2-10/KS

Bases for KVS and NKVS cabinets assembled with 700A E/N bar



FP1 with GBPLO

For cabinets	Dimensions mm H x W x D	Part No.
KVS00	902 x 460 x 310	FPO0-SAN
KVS0 & NKVS0	902 x 585 x 310	FPO-SAN
KVS1 & NKVS1	902 x 780 x 310	FP1-SAN
KVS2 & NKVS2	902 x 1110 x 310	FP2-SAN

Pedestal elevation for flood areas



FP1 with FPH

Description	Size	Part No.
511mm elevation	00	FPH00-10/KS/BV
	0	FPH0-10/KS/BV
	1	FPH1-10/KS/BV
	2	FPH2-10/KS/BV

Accessories

	Part No.
Cylinder key lock for KVS & NKVS cabinets Additional charge for lock keyed to customers requirement (net price)	CKL-UL
Grid baseplate to increase groundholding for 00/0/1	GBPLO
Padlockable handle	SV-PL

Distribution cabinets series EH

Empty cabinets

Model	Dimensions mm H x W x D	Part No.
EHFB	1349 x 425 x 240	EHFB
EHFERB	1622 x 425 x 240	EHFERB

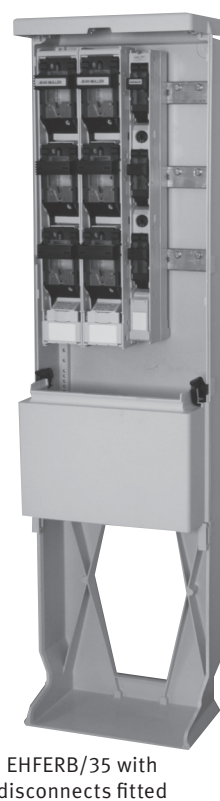
Fitted cabinets (keys invoiced separately, but included in price)

Model	Fitted with	Dimensions mm H x W x D	Part No.
EHFB	- formica panel 400 x 450mm - key lock additional	1349 x 425 x 240	EHFB/PNL
EHFERB	- 700A phase bars - single earth/neutral bar - key lock additional	1622 x 425 x 240	EHFERB/35

Accessories

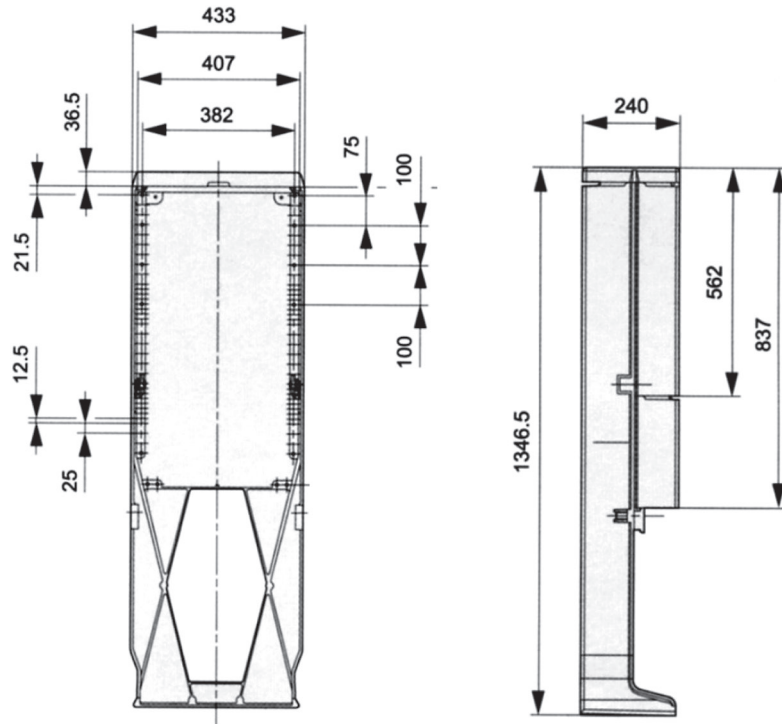
	Part No.
Cylinder key lock for EH cabinets Additional charge for lock keyed to customers requirement (net price)	CKL-UL
Threaded insert M6	SOC-IT6
500ml paint kit - any colour	JMTE/PAINT/KIT500
1000ml paint kit - any colour	JMTE/PAINT/KIT1000

Note: Paint kits include - 2k colour, hardener, thinner, mixing bowl, roller with sleeve & data sheet.

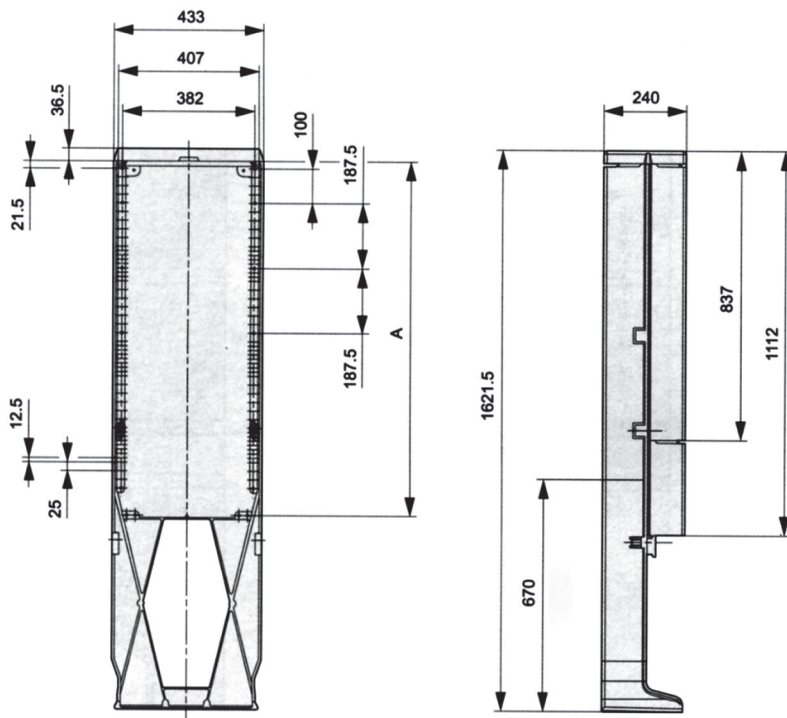


DIMENSIONS

EHFB

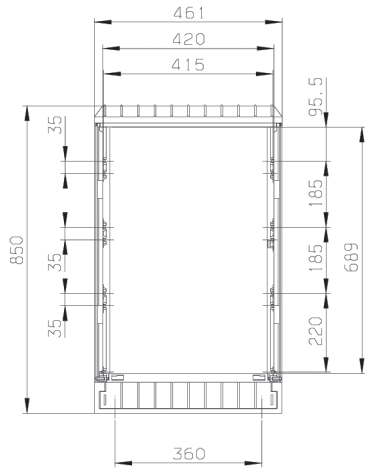


EHFERB

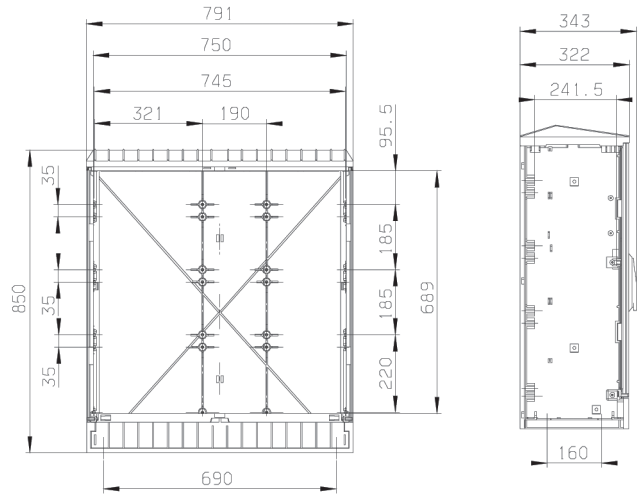


EHFERB

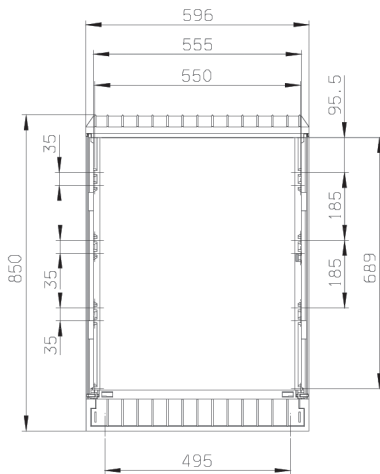
KVS00/10



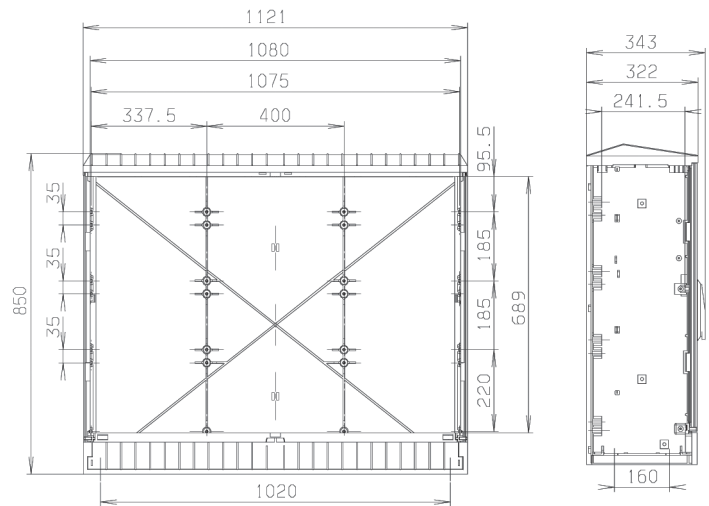
KVS1/10



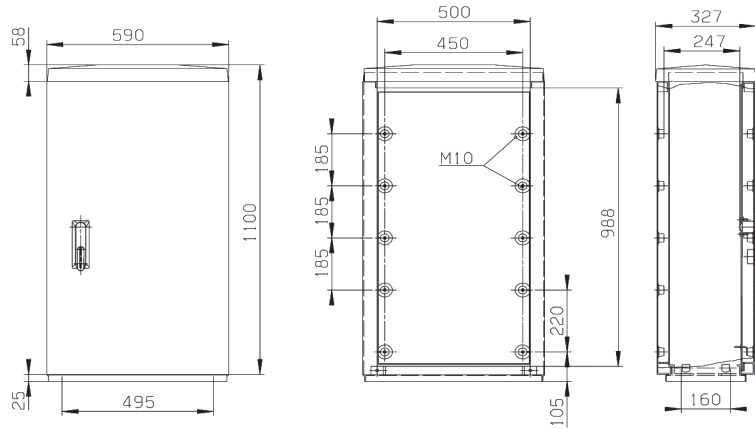
KVS0/10



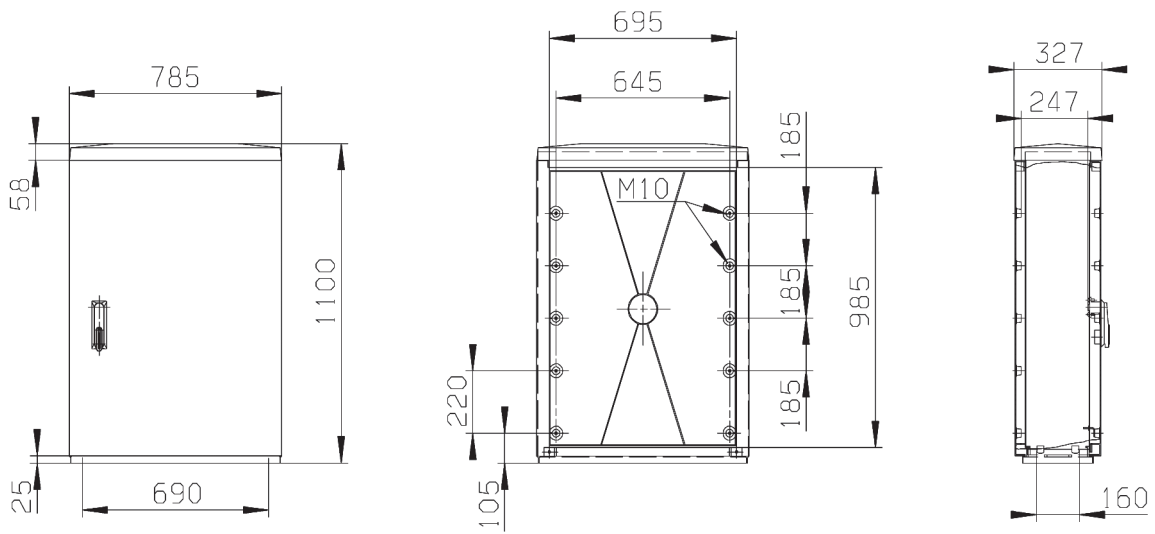
KVS2/10



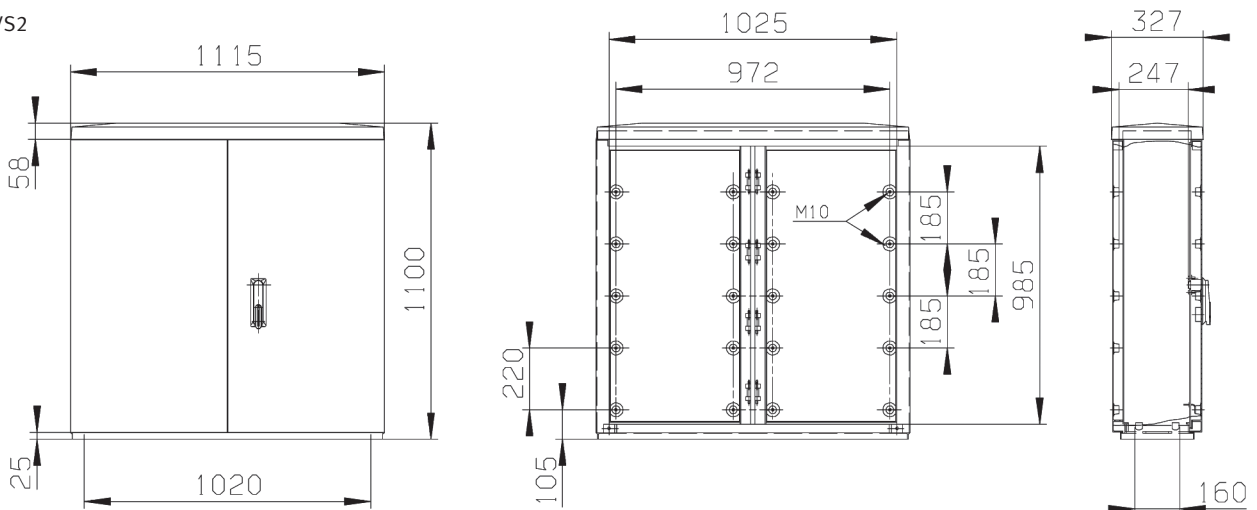
NKVS0



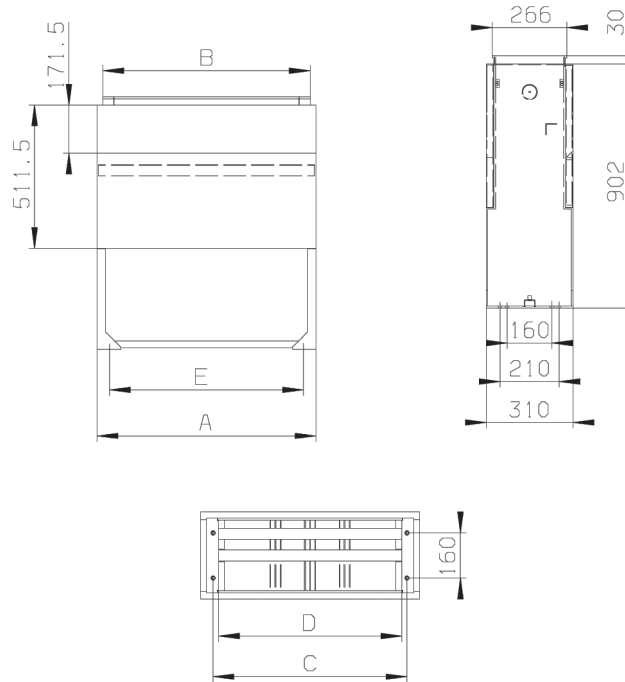
NKVS1



NKVS2

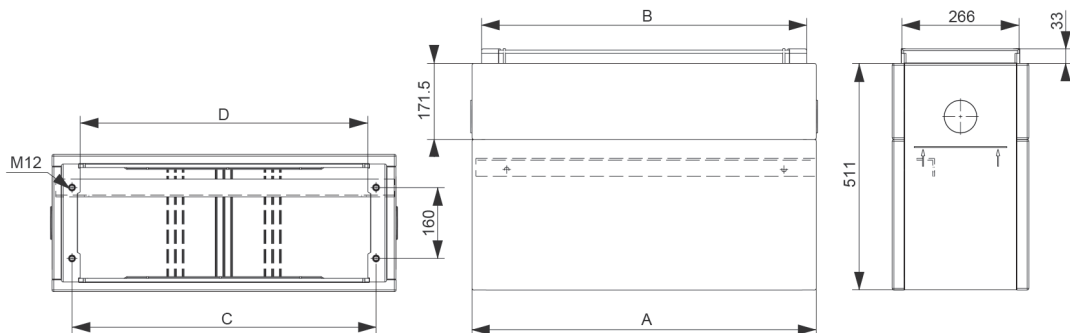


FP00
FP0
FP1
FP2



	A	B	C	D	E
FP00	450	408	360	322	360
FP0	585	543	495	457	495
FP1	780	738	690	652	690
FP2	1110	1068	1020	982	1020

FPH00
FPH0
FPH1
FPH2



Size	A	B	C	D
FPH00	450	408	360	322
FPH0	585	543	495	457
FPH1	780	738	690	652
FPH2	1110	1068	1020	982